



Dyson Operations Pte. Ltd
438B Alexandra Road, #05-05 Alexandra Technopark
Singapore 119968
Tel: +65 6643 2050 Fax: +65 6275 0622

Technical Data Sheet

Document No: **DOC-0418024**

Document version	1.00
Last updated	08-08-2016
Status	Company Confidential
Originator	Clare Loke
Department	RDD

Document Approval	
PLM Document ID	DOC-0418024

THIS DOCUMENT AND THE COPYRIGHT IN IT ARE THE SOLE PROPERTY OF DYSON TECHNOLOGY LIMITED. THE DOCUMENT AND ITS CONTENTS ARE CONFIDENTIAL AND MAY NOT BE REPRODUCED, DISCLOSED OR USED WITHOUT THE PRIOR WRITTEN CONSENT OF DYSON TECHNOLOGY LIMITED. THIS DOCUMENT IS ALSO PROTECTED BY UNPUBLISHED COPYRIGHT. © DYSON TECHNOLOGY LIMITED 2015.

(i) Table of Contents

1	Scope	3
	This specification defines the characteristics of a lithium ion rechargeable cell, INR-20700A, 3.0 Ah, operation within a Dyson battery management system designed pack. The pack is specifically unique design for Dyson machine only.	3
2	Product Description	3
2.1	Name	3
2.2	Part Number	3
	215681-00	3
2.3	Regulatory Compliance	3
3	Specification	3
3.1	Electrical Specifications	3
3.2	Environmental	4
3.3	Dimensions	4
3.4	Weight	4

(ii) Document History

Date	Version	Release By	Reason for Change
24/07/16	1.00	Clare Loke	First draft

1 Scope

This specification defines the characteristics of a lithium ion rechargeable cell, INR-20700A, 3.0 Ah, operation within a Dyson battery management system designed pack. The pack is specifically unique design for Dyson machine only.

2 Product Description

2.1 Name

Battery Pack 6-cell

2.2 Part Number

215681

2.3 Regulatory Compliance

Compliance	Country	Certification Level
UL1642	USA	Cell only
IEC62133	UK and EU	Battery Pack
K62133	Korea	Battery Pack
GB31241	China	Battery Pack
CNS15364	Taiwan	Battery Pack
PSE Denan Law	Japan	Battery Pack
UN38.3	UN Transport of Dangerous Goods Manual of Tests and Criteria	Battery Pack

3 Specification

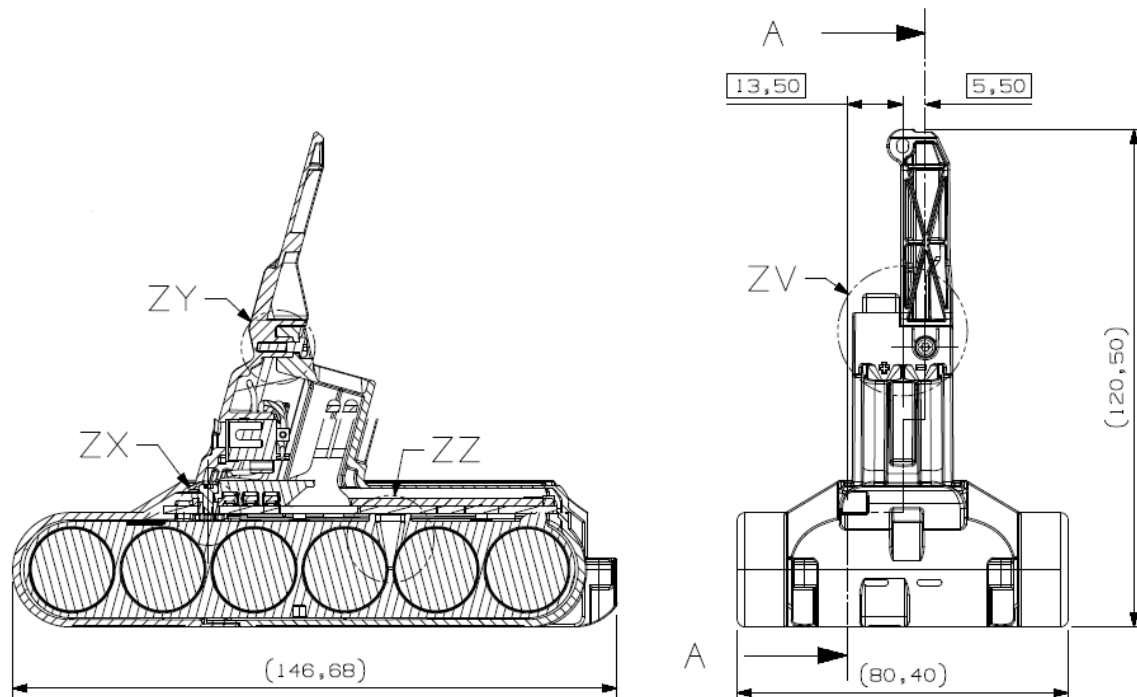
3.1 Electrical Specifications

Parameter Description	Specification	Units
Nominal Voltage	3.6	V
Total Voltage (6 cells)	21.6	V
Nominal Current	2800	mAh
Nominal capacity Watt Hour (6 cells)	65	Wh

3.2 Environmental

Operating Environment	Min	Max
Temperature	3°C	40°C
Humidity	45%	85%
Atmospheric Range	750 HPa	1050 HPa

3.3 Dimensions



3.4 Weight

Weight	Specification	Units
Cell per	65	g
Battery Pack	540	g