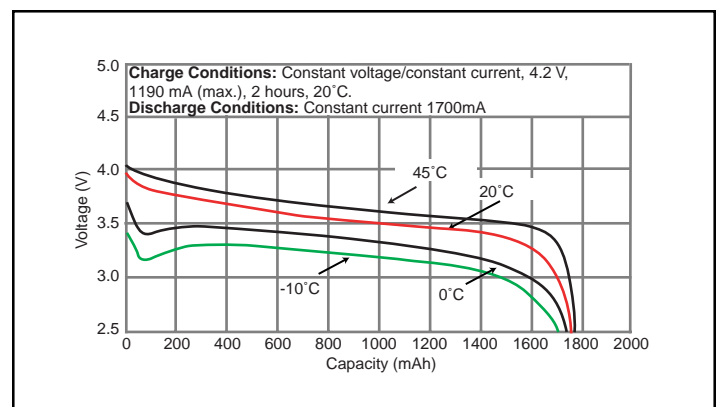
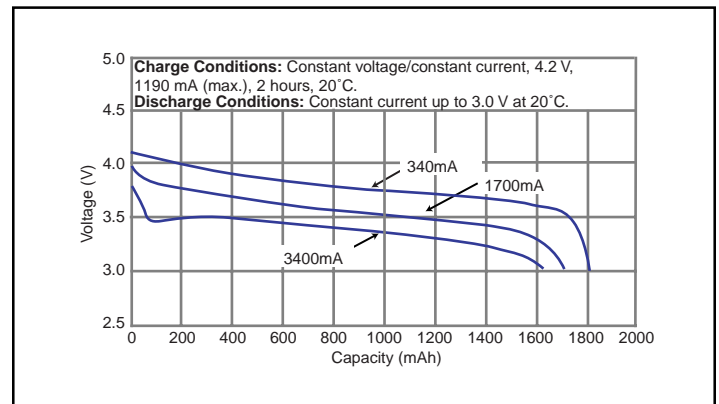
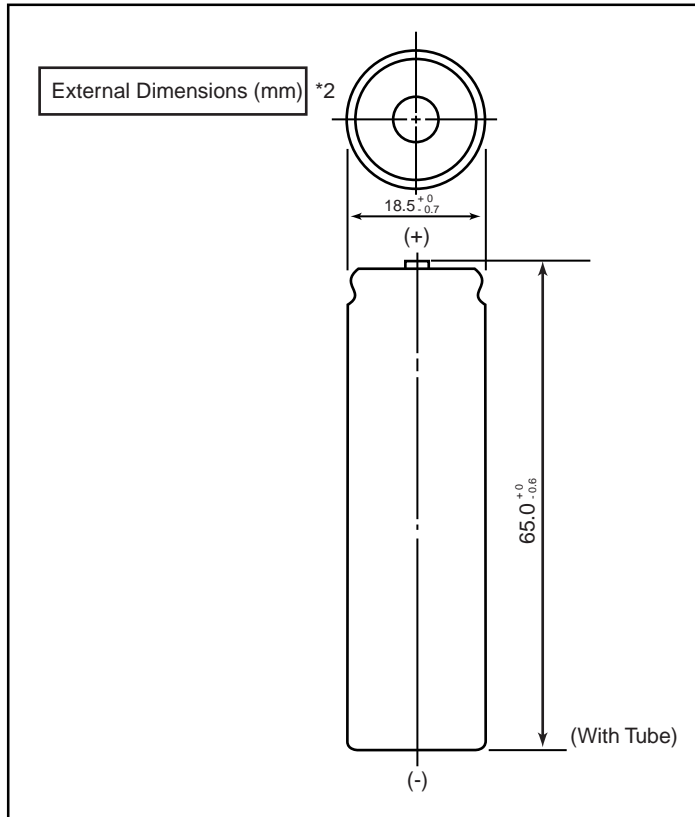


CGR18650HG: Cylindrical Model

Discharge Characteristics

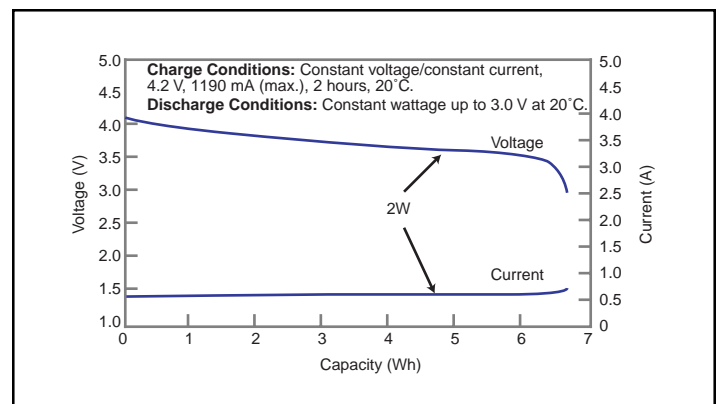


Specifications

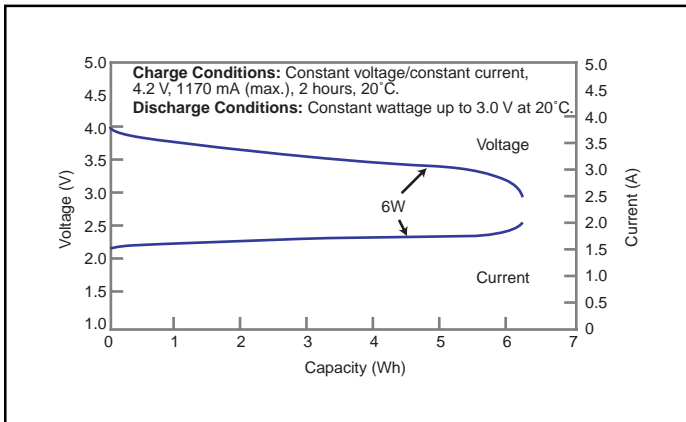
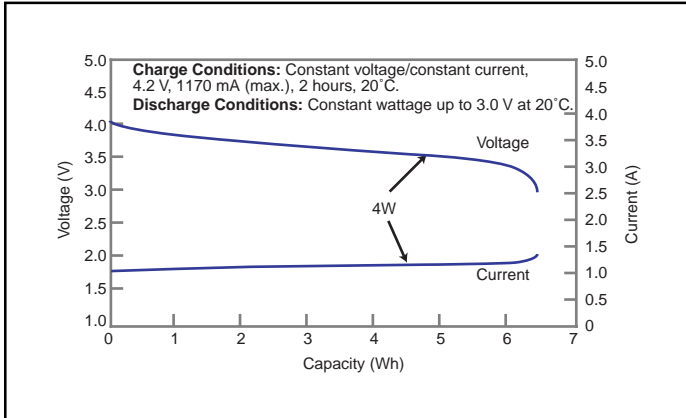
<b>Nominal Voltage</b>		3.6V
<b>Standard Capacity *1</b>		1800mAh
<b>Dimensions*2</b>	<b>Diameter</b>	18.5 +0/-0.7mm
	<b>Height</b>	65.0 +0/-0.6mm
	<b>Weight</b>	Approx. 42g

\*1 After a fresh battery has been charged at constant voltage/constant current (4.2 V, 1190 mA (max), 2 hours, 20°C), the average of the capacity (ending voltage of 3 V at 20°C) that is discharged at a standard current (340 mA).

\*2 Dimensions of a fresh battery



Discharge Characteristics



Charge Characteristics

