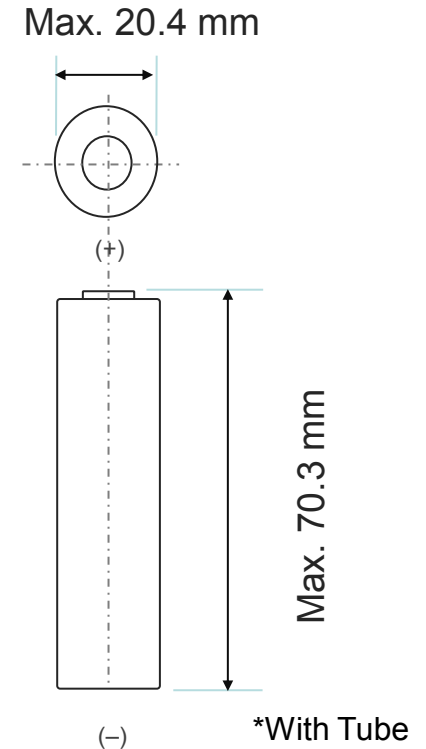


		NCR20700B
Capacity (mAh)	Rated. (Min. at 20°C)	4000
	Min. at 25°C	4050
	Typ. at 25°C	4250
Voltage (V)		3.6
Charge Method		CC – CV
Charge Current(A)		2025
Max Discharge Current (A)*		10
Temp	Charge	+10 ~ +45°C
	Discharge	-20 ~ +60°C
Weight(max.) (g) with Tube		63.5
Dimension(max.) With tube	Diameter (mm)	20.4
	Height (mm)	70.3

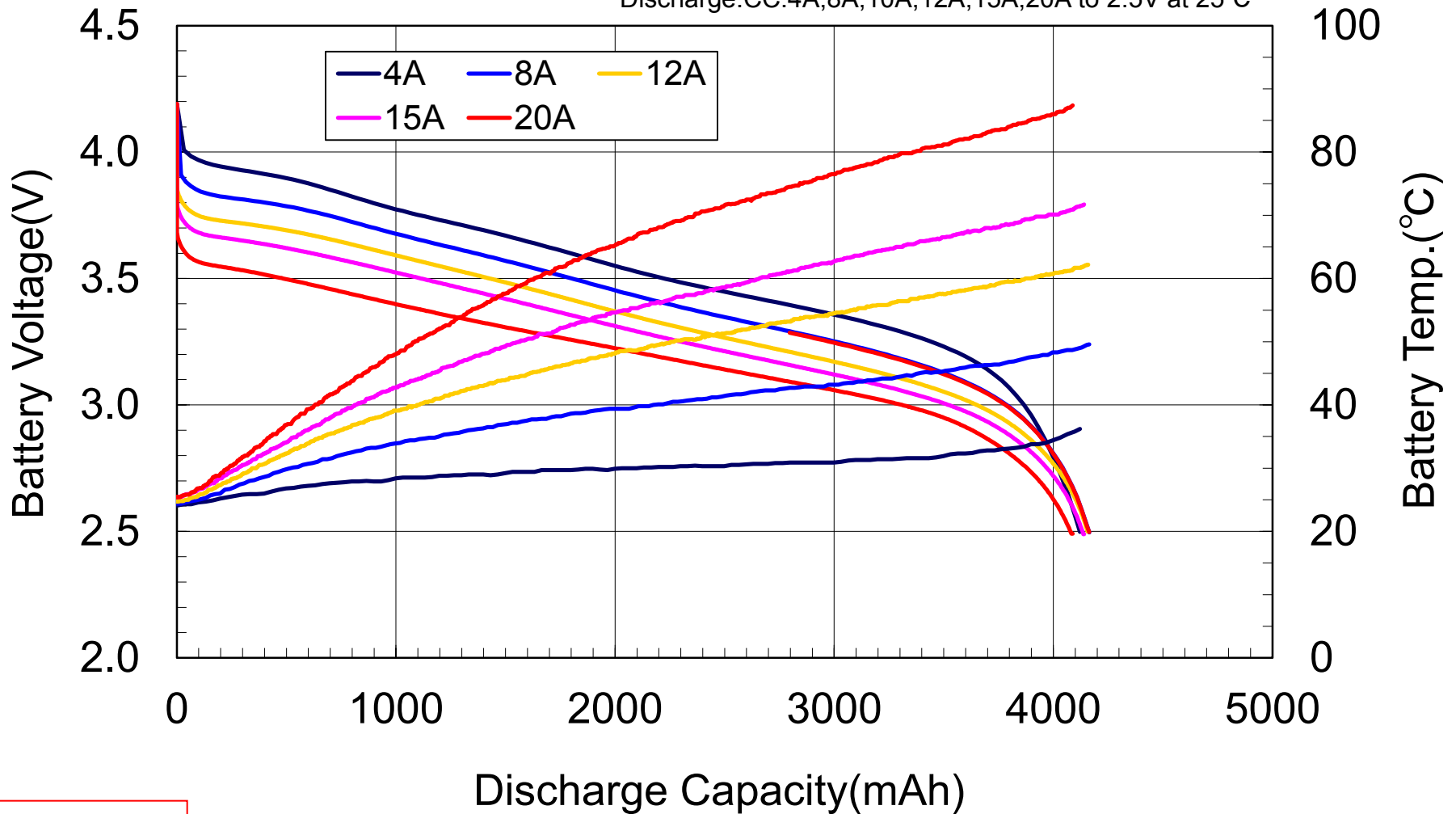
Dimension



* Cycle life is considered : more than 60% at 300 cycle.

For TDH

Charge :CC-CV:2A-4.2V(80mA cut) at 25°C
Discharge:CC:4A,8A,10A,12A,15A,20A to 2.5V at 25°C

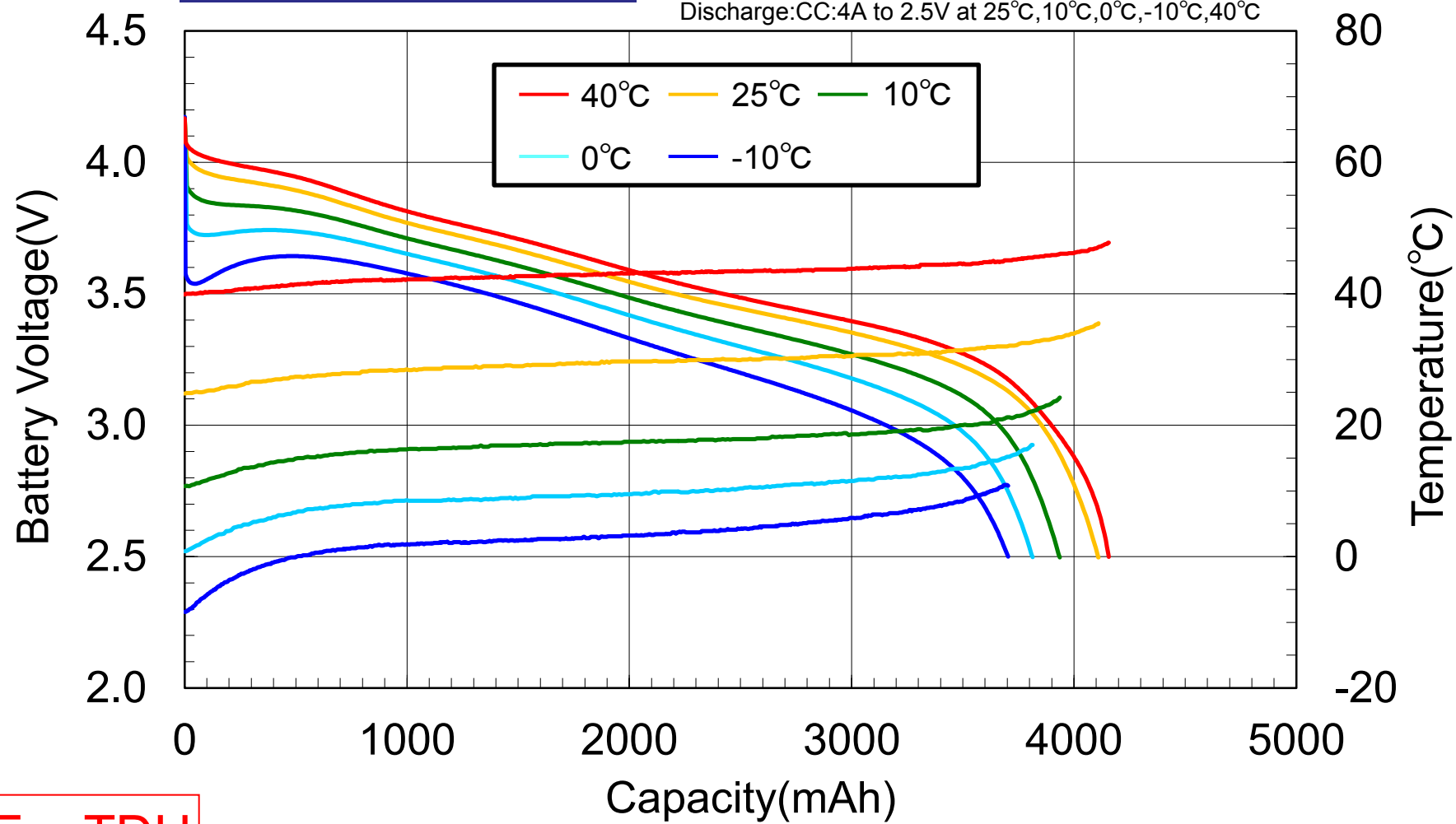


For TDH

Discharge temp. characteristics

4A discharge

Charge : CC-CV:2A - 4.2V(80mA cut) at 25°C
Discharge: CC:4A to 2.5V at 25°C,10°C,0°C,-10°C,40°C

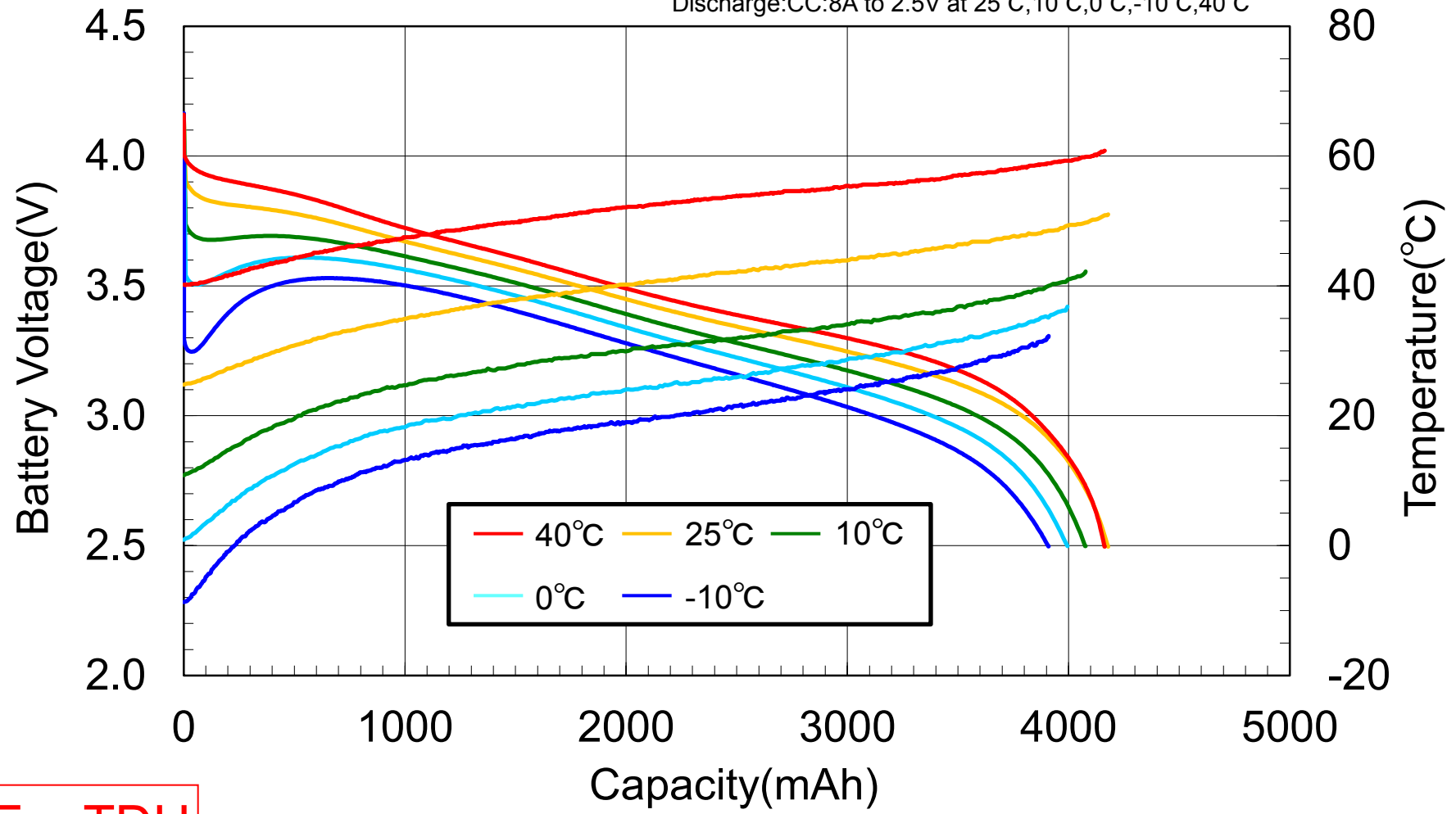


For TDH

Discharge temp. characteristics

8A discharge

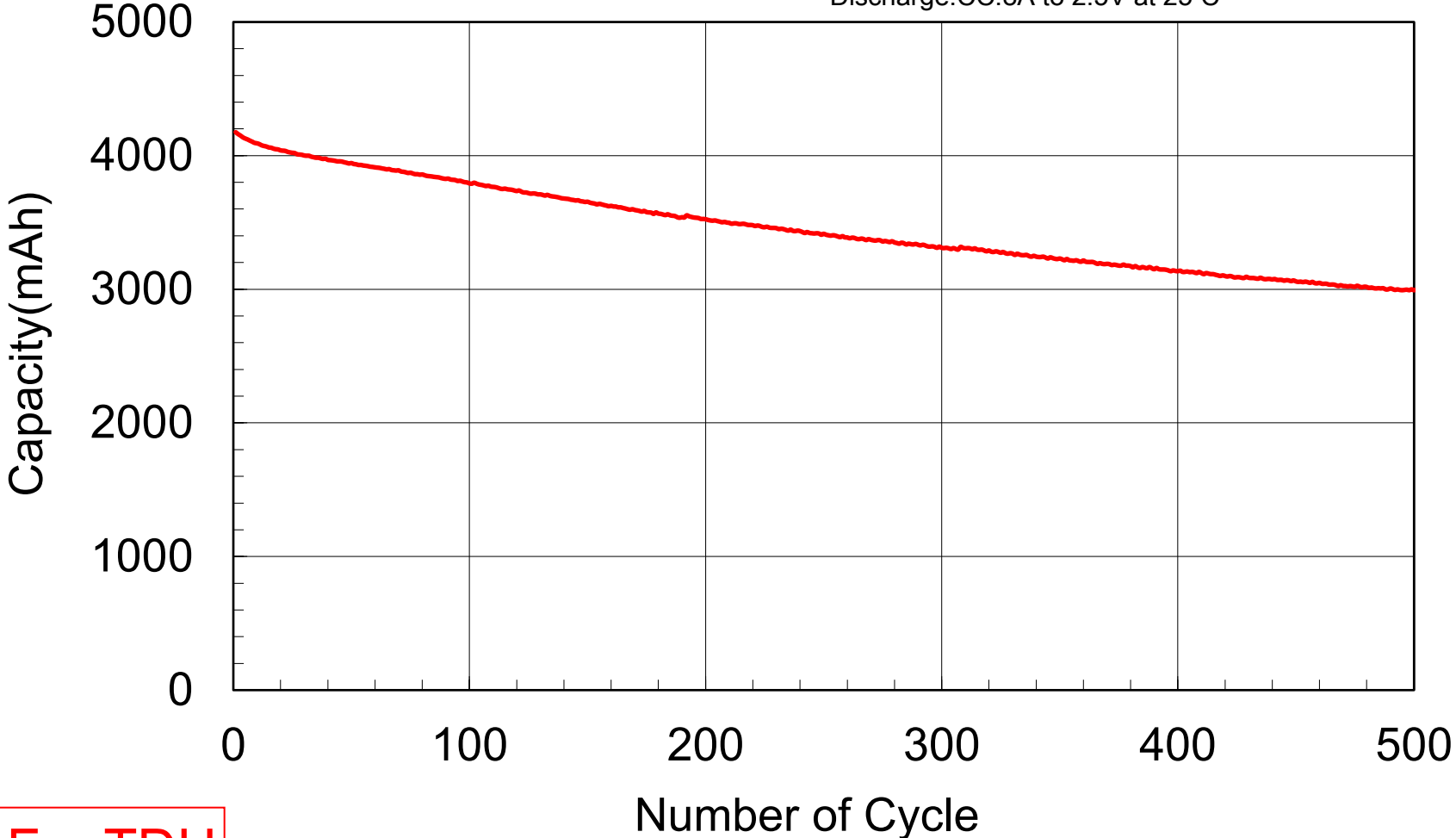
Charge : CC-CV:2A - 4.2V(80mA cut) at 25°C
Discharge: CC:8A to 2.5V at 25°C, 10°C, 0°C, -10°C, 40°C



For TDH

8A discharge cycle

Charge : CC-CV:2.0A - 4.2V(100mA cut) at 25°C
Discharge:CC:8A to 2.5V at 25°C



For TDH