

# NCR2070C data sheet

---

Automotive & Industrial Systems Company of Panasonic Corporation

Rechargeable Battery Business Division, SANYO Electric Co., Ltd.

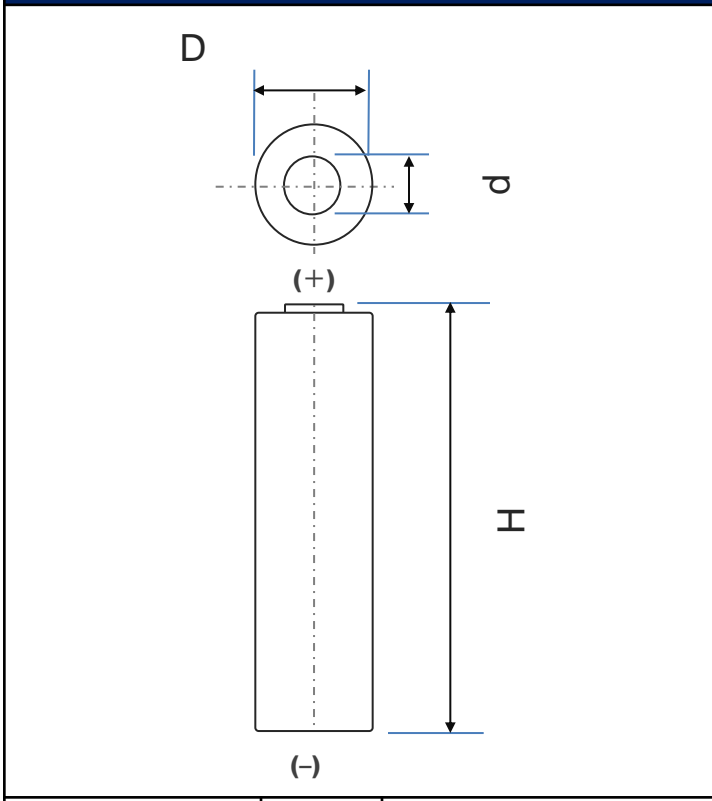
## Specifications

Rated capacity <sup>(1)</sup>		3475mAh
Capacity <sup>(2)</sup>	Minimum	3500mAh
	Typical	3620mAh
Nominal voltage		3.6V
Charging	Method	CC-CV
	Voltage	4.20V
	Current	Std. 2450mA
	Time	Std. 180min.
AC impedance	SOC : 50% (Typical value)	10mΩ
DC resistance	SOC : 50% (Typical value)	13mΩ
Weight (max.)		62.0g
Temperature	Charge	10 to +45° C
	Discharge	-20 to +60° C
	Storage	-20 to +50° C
Energy density <sup>(3)</sup>	Volumetric	569 Wh/l
	Gravimetric	214 Wh/kg

<sup>(1)</sup> At 20° C <sup>(2)</sup> At 25° C

<sup>(3)</sup> Energy density is calculated using bare cell dimensions (without tube).

## Dimensions

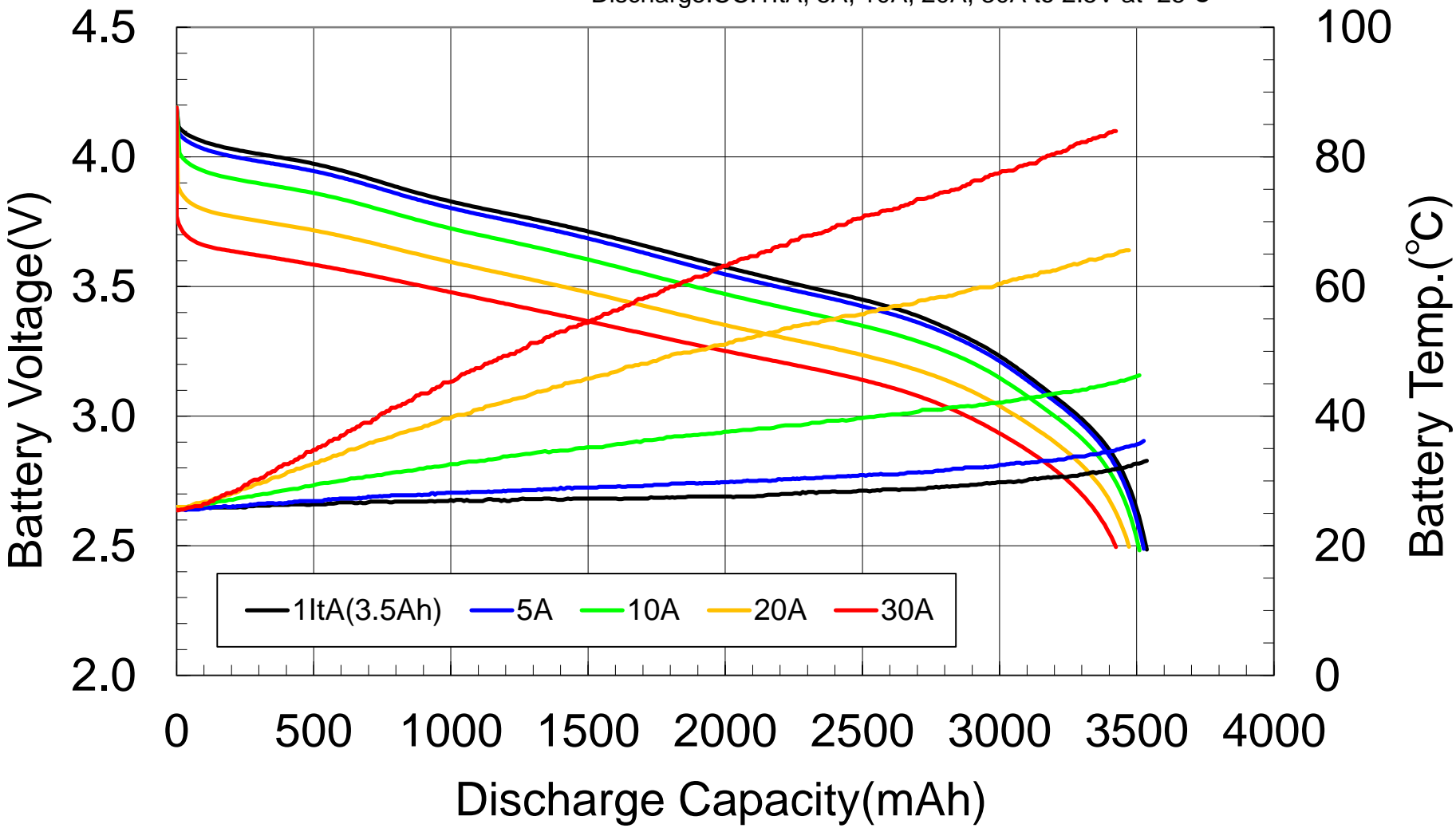


With tube	H	Max. 70.3mm
	D	Max. 20.4mm
	d	Max. 10.5mm

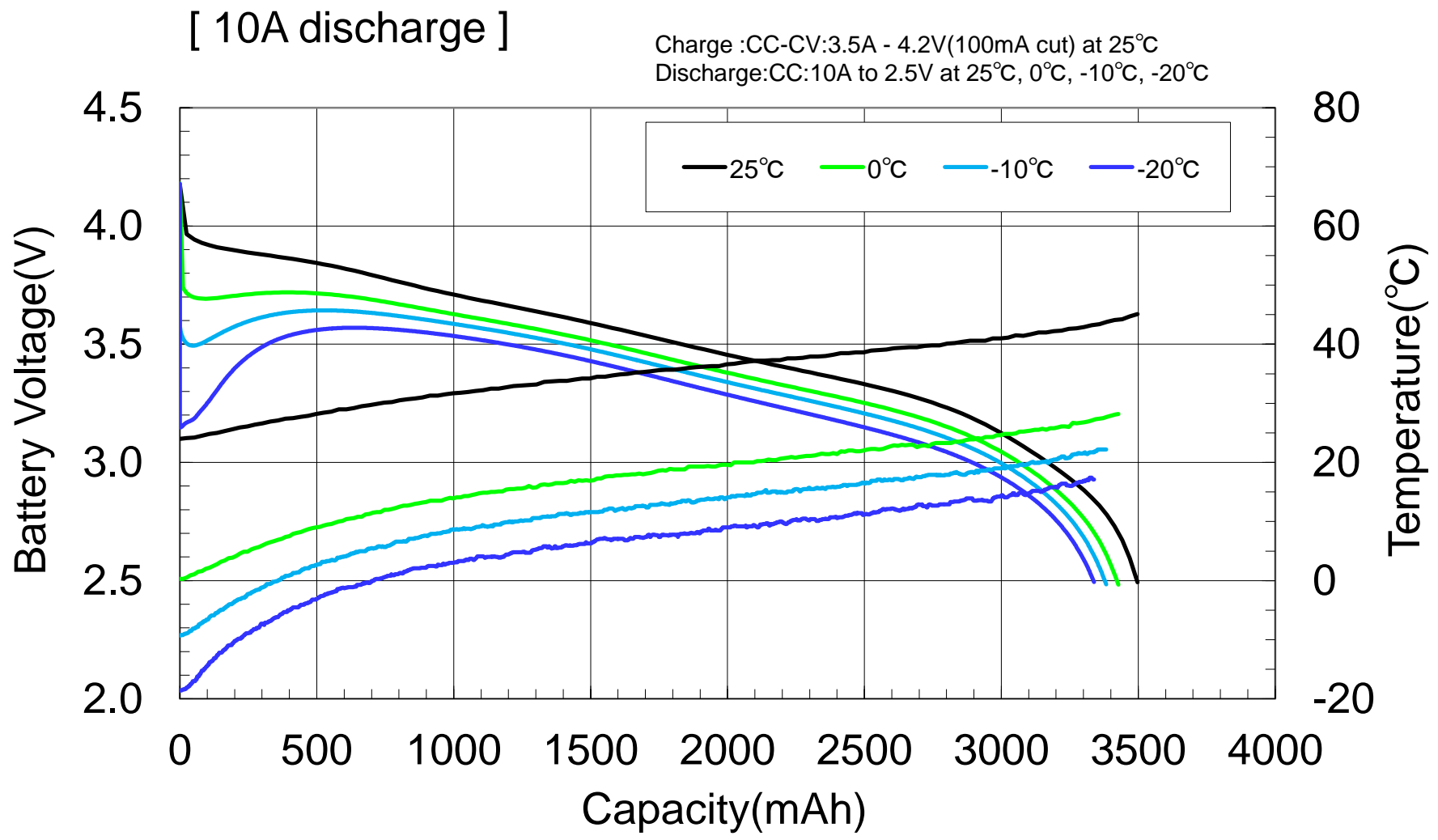
When designing a pack, refer to the cell's mechanical drawing for precise dimensions.

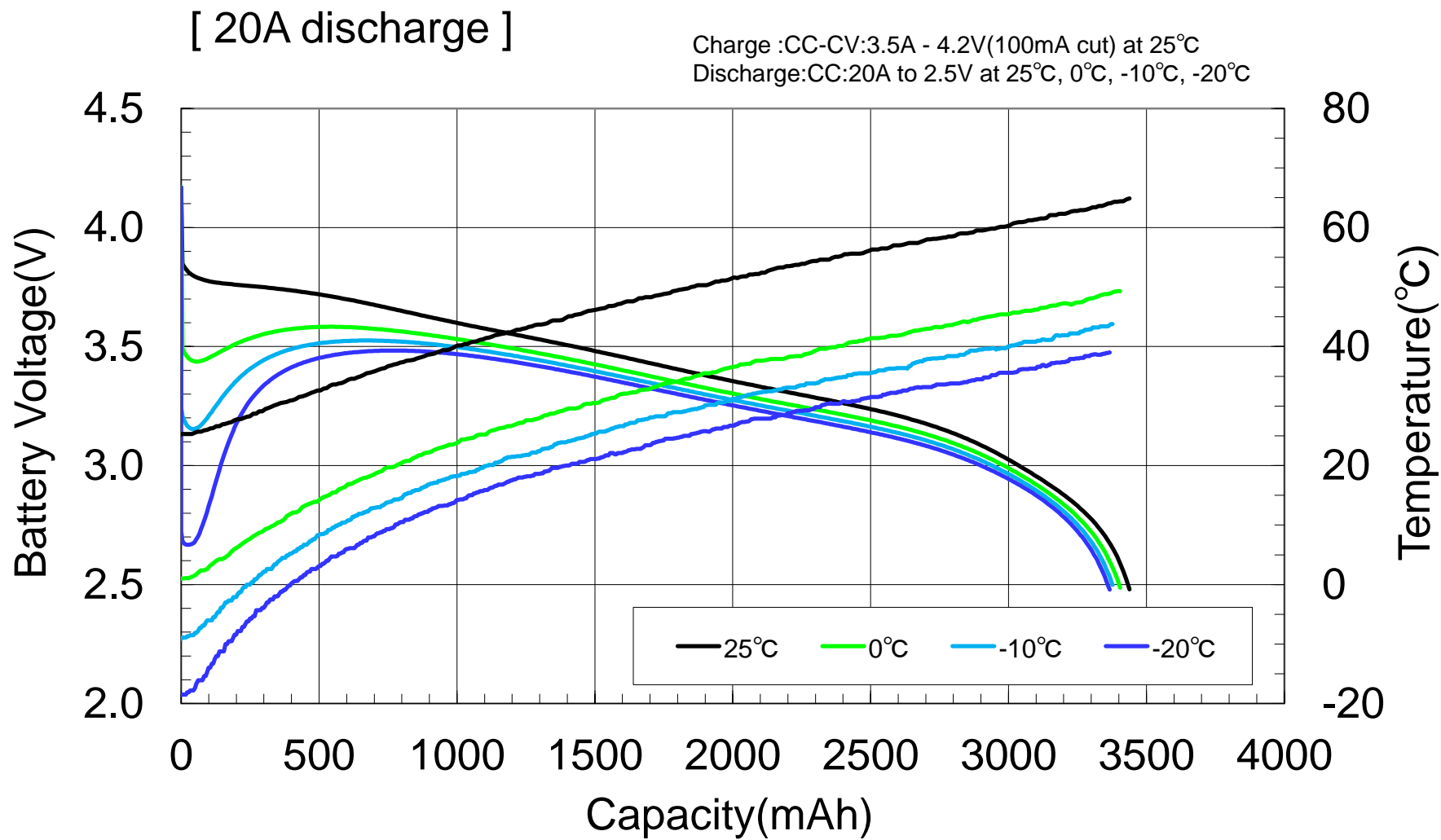
# Discharge rate Characteristics for NCR2070C

Charge :CC-CV:3.5A-4.2V(100mA cut) at 25°C  
Discharge:CC:1ItA, 5A, 10A, 20A, 30A to 2.5V at 25°C

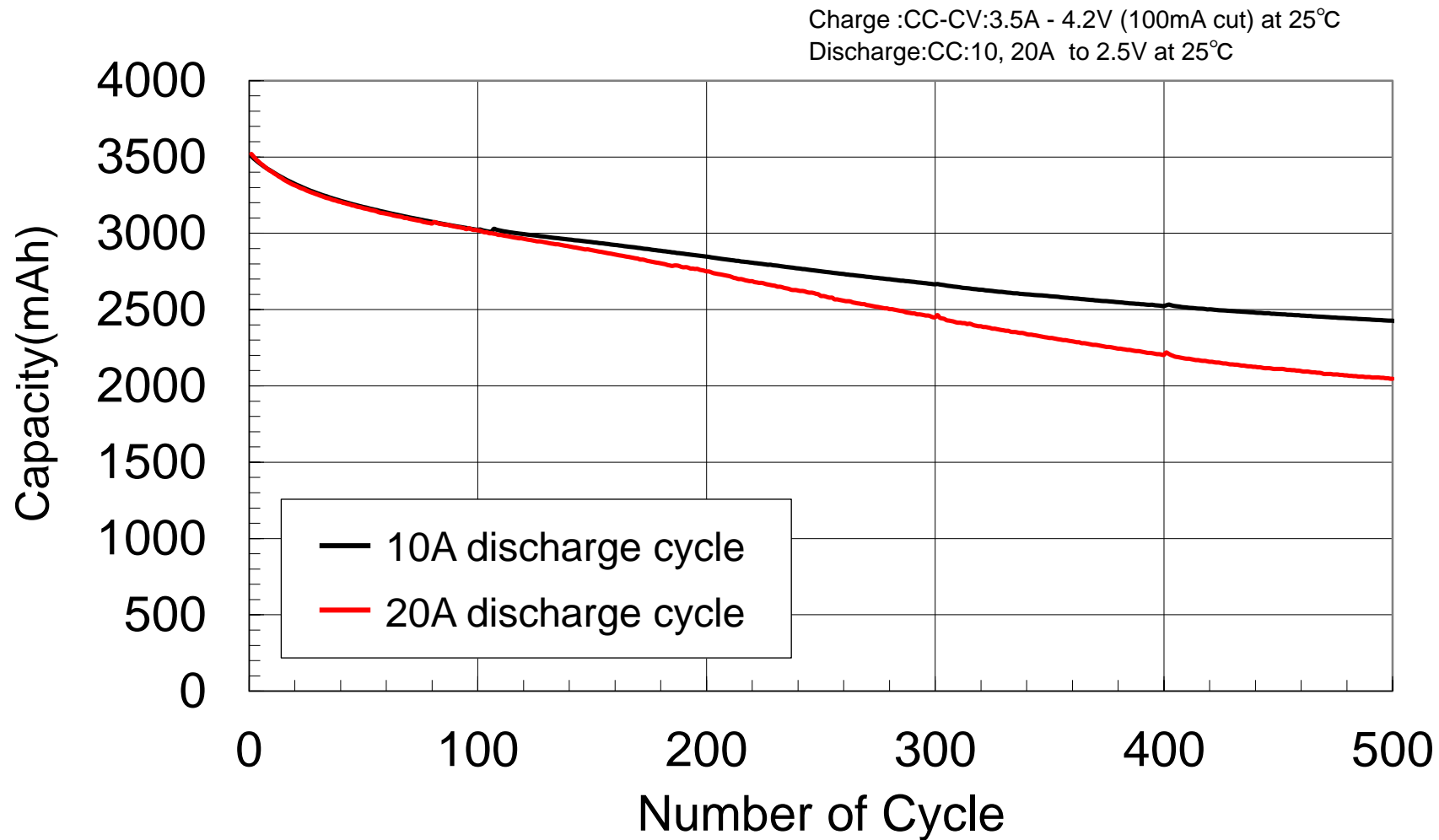


# Low Temp. Characteristics for NCR2070C





# Cycle Characteristics for NCR2070C



A Better Life,  
A Better World

**Panasonic**